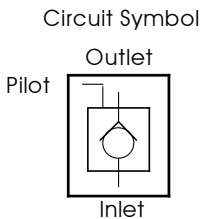
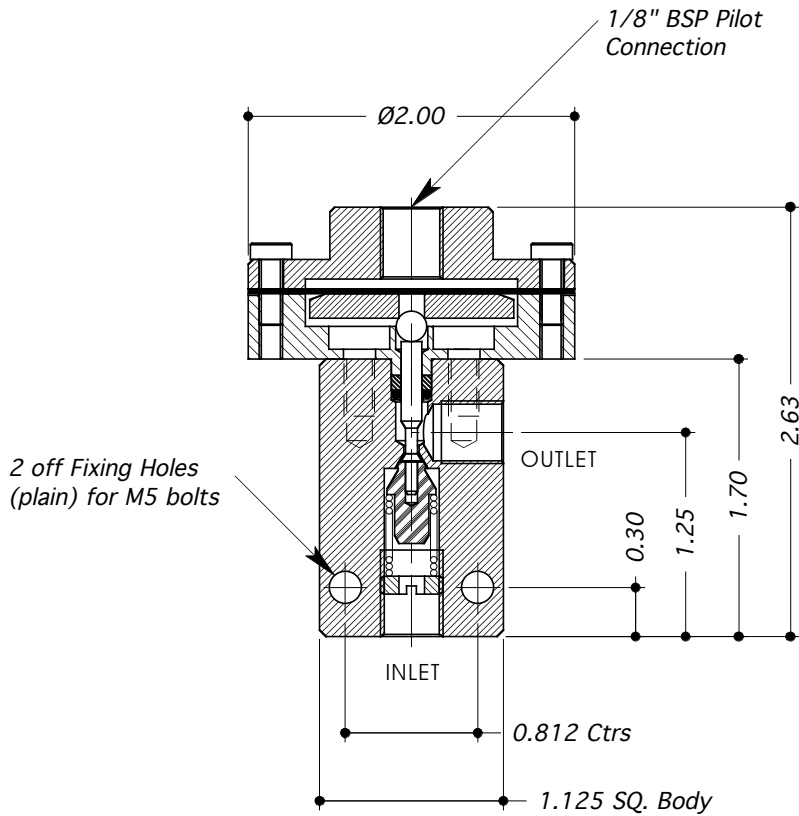


# MIDGET PILOT OPERATED CHECK VALVE TYPE: SVA12



- VALVE BODY - STAINLESS STEEL (316 / 1.4404)
- ACTUATOR BODY - STAINLESS STEEL (316 / 1.4404)
- SUITABLE FOR LIQUID OR GAS USE.
- ALL DIMENSIONS IN INCHES.



TECHNICAL SPECIFICATION		ORDERING EXAMPLE
Valve Type:	<b>SVA12</b>	<b>SVA12</b>
Porting / Connection Options:	<b>P = BSP (Parallel)</b>	<b>P</b>
Max. Working Press: Liquid/Gas	<b>4,000 psi</b>	<b>4K</b>
Pilot Ratio:	40 : 1	
Diaphragm Material:	Neoprene	
Maximum Pilot Pressure:	100 psi	
Port Size: (Valve Body)	1/8"	
Valve Seat Mat'l: Liquid/Gas	Stainless Steel - 431/1.4057	
Seal Material:	Viton (other materials available by request)	
CV Value:	0.15	
Dry Weight: (kg)	1.2	
Working Temperature Range:	-10°C to +120°C	